





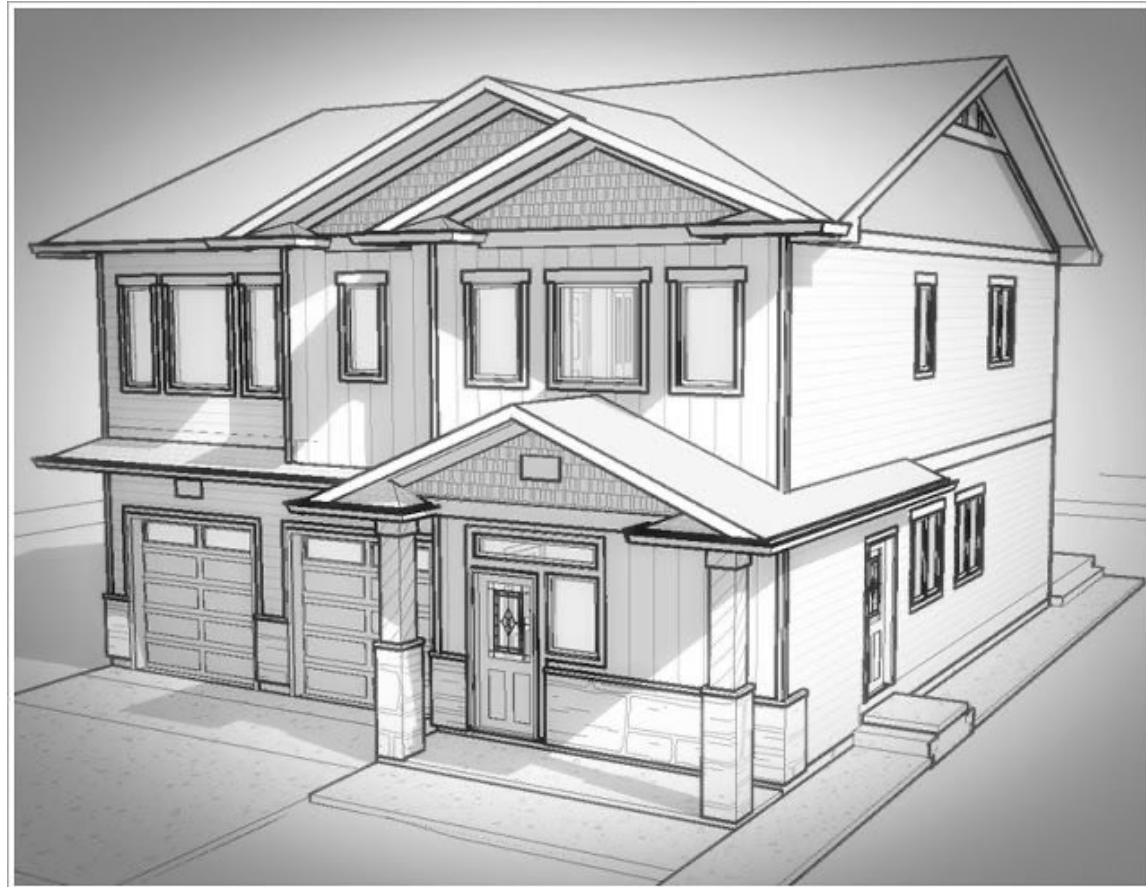


On The Wall

TAKE-OFF VISUAL

SYSTEM PROFILES

-  AMICO E-Z Vent
-  AMIFLOW Drain Screenshot
-  AMIFLOW UD
(Unlimited Drain)
-  AMIFLOW Mid-Wall
-  AMIFLOW Drip Edge
-  AMICO *SPEED* Bead
or E-Z Bead

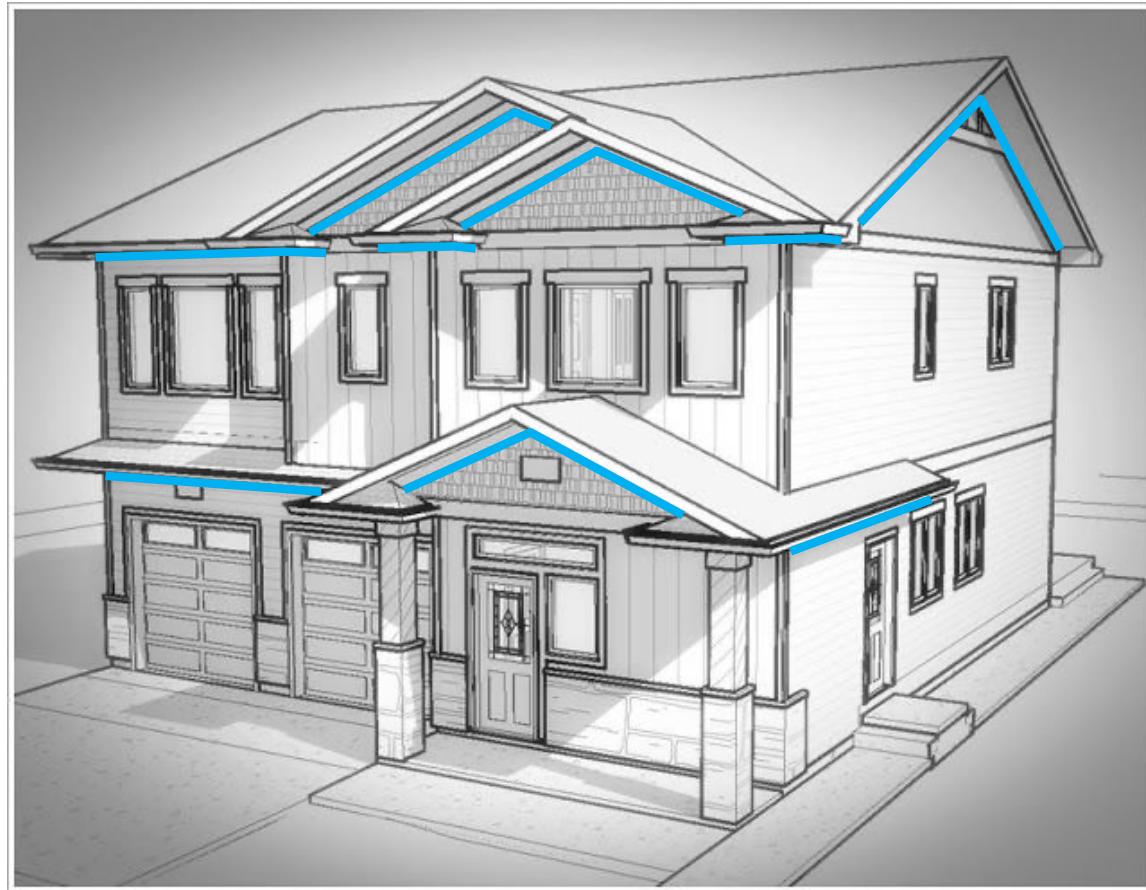
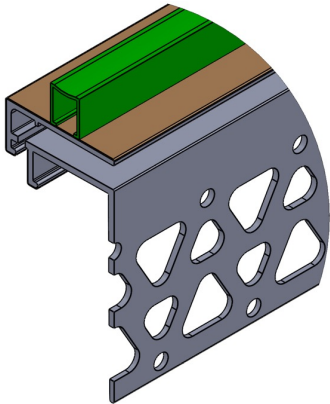


TAKE-OFF VISUAL

AMICO E-Z Vent

Installed under the soffit, above top-of-wall trim, under parapet flashing etc. and sits on top of the drainage mat.

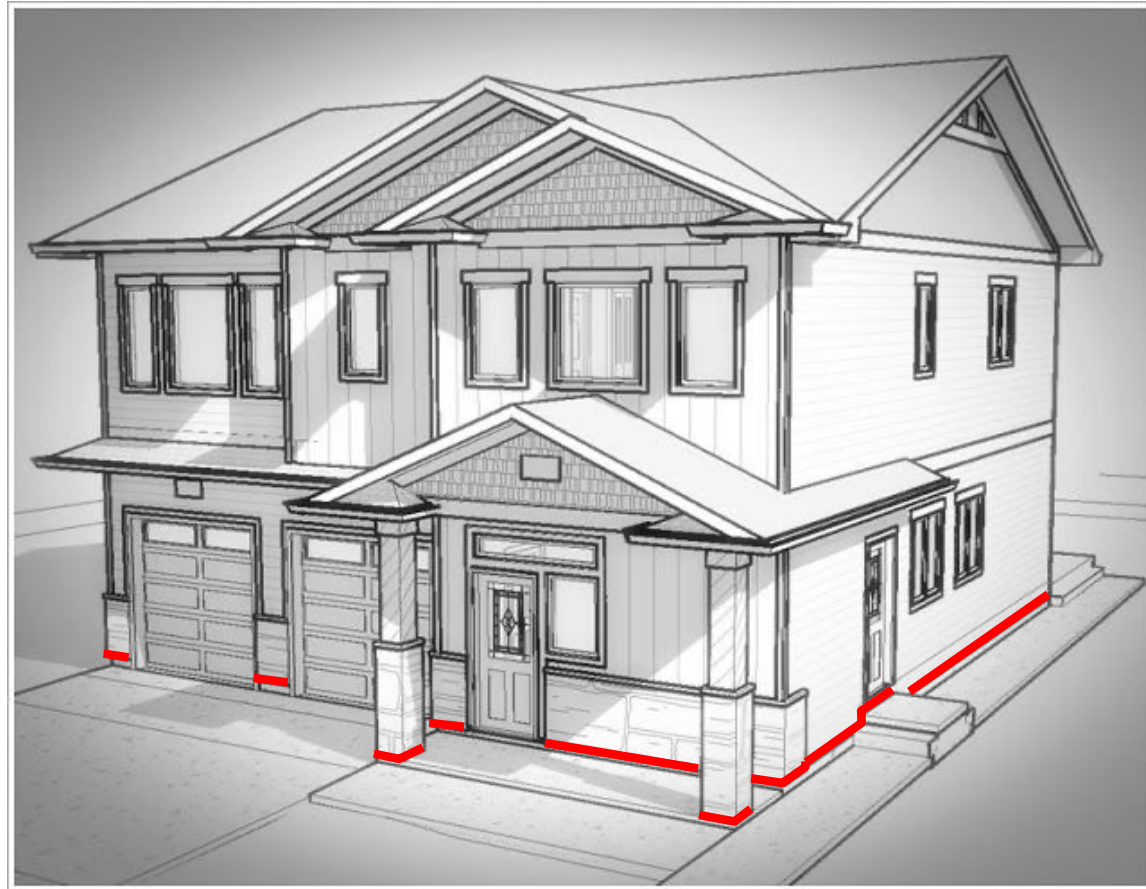
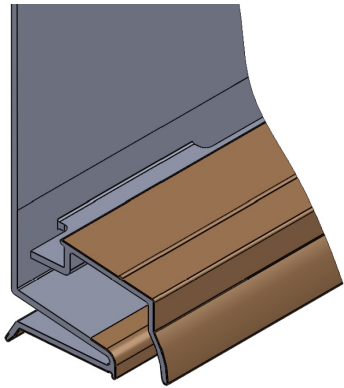
E-Z Vent completes the drying system by introducing air vents at the top of the wall to promote air flow and accelerate vapor removal before it can cause damage.



TAKE-OFF VISUAL

AMIFLOW Drain Screed

Specifically designed to accept 3mm – 10mm rainscreen drainage mat for high performance evacuation of bulk water. Replaces the traditional weep screed that relies on mortar shrinkage, or siding gapping, to allow water to weep versus drain.



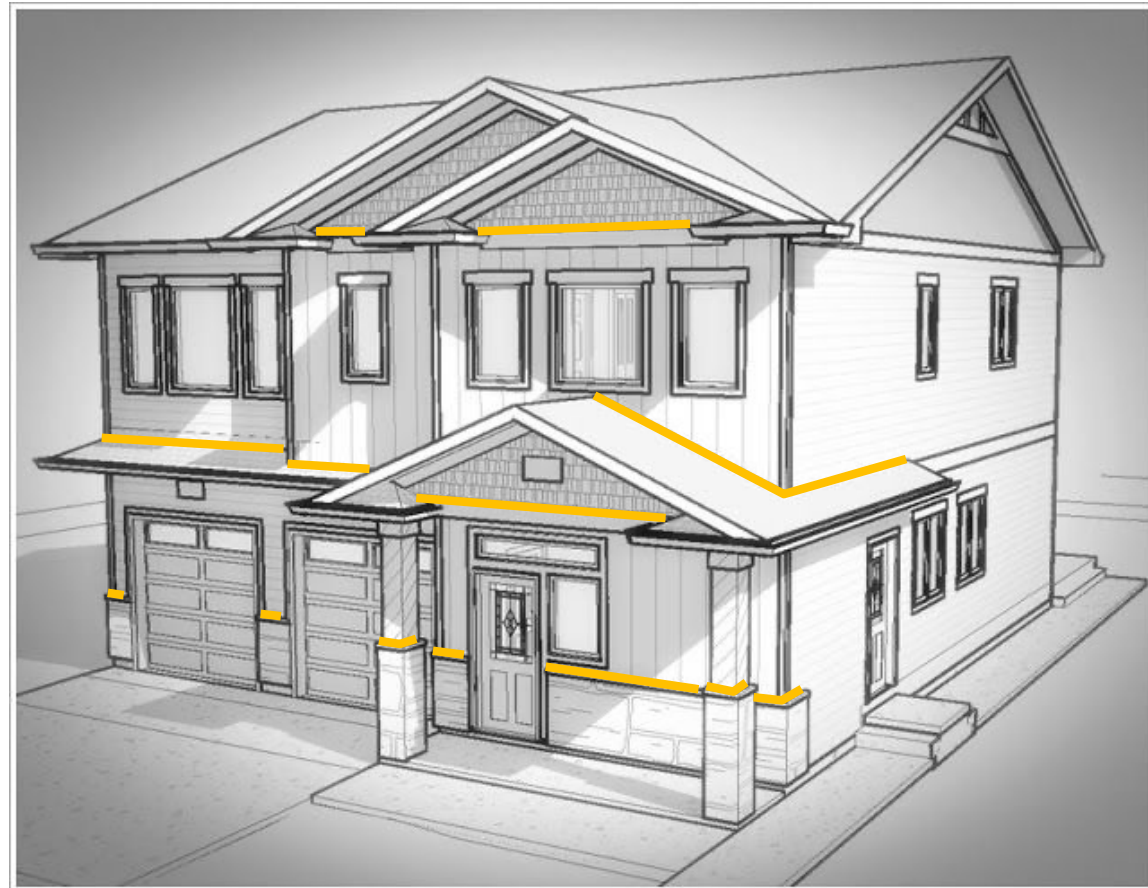
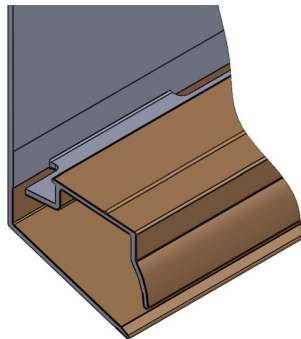


TAKE-OFF VISUAL

AMIFLOW UD
(Unlimited Drain)

Our most versatile profile, UD is designed to work with 3mm-10mm rainscreen drainage mat for high performance evacuation of bulk water.

UD is perfect for transitions from stone to stucco or siding, at roof-wall transitions, and at bottom of walls where a return leg is not required.

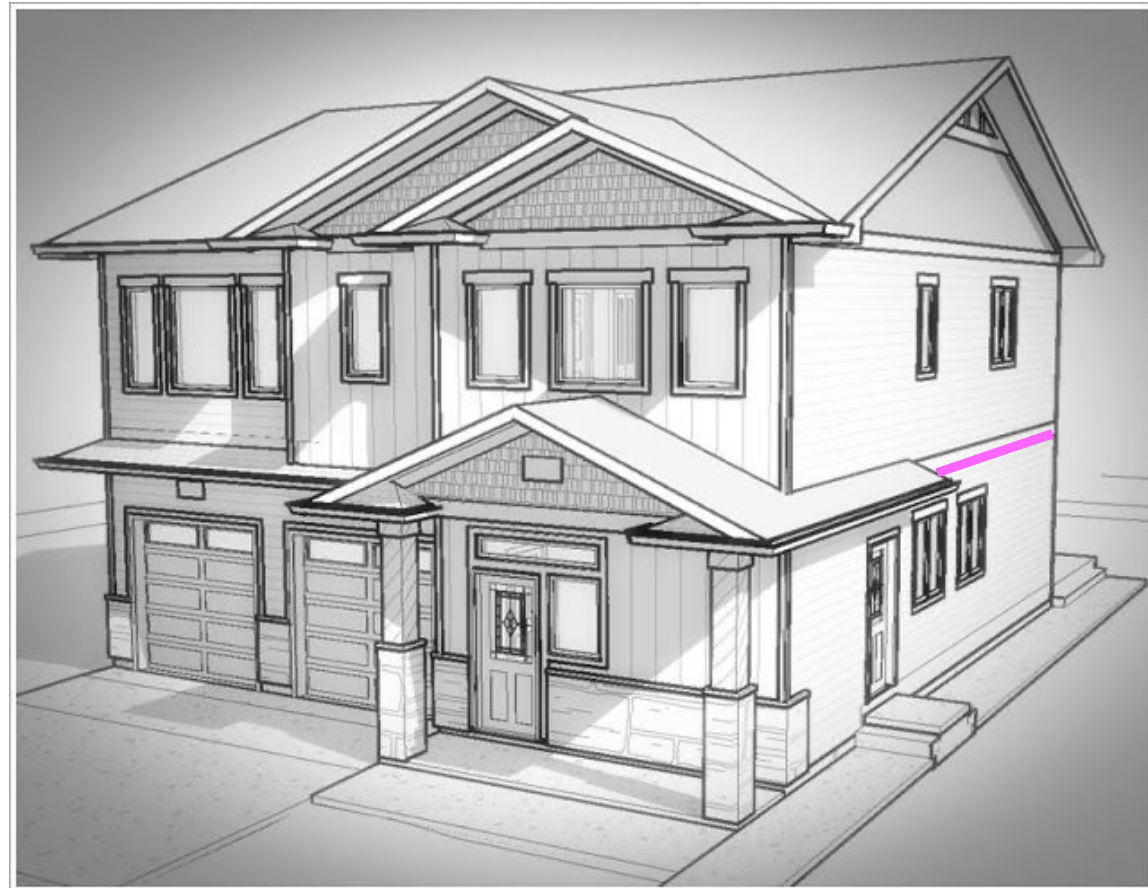
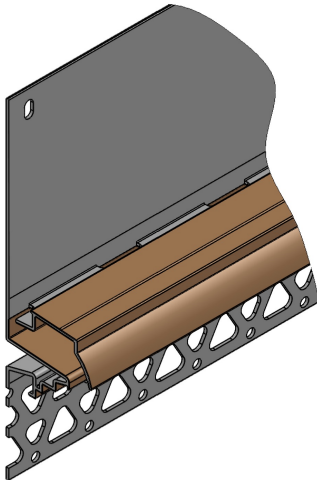


TAKE-OFF VISUAL

AMIFLOW Mid-Wall

For block/masonry below wood framing. Replaces the traditional mid-wall and is specifically designed to accept 3mm – 10mm rainscreen drainage mat for high performance evacuation of bulk water.

Mid-wall profiles are commonly used where foundations, or block first floors, transition to wood framing.

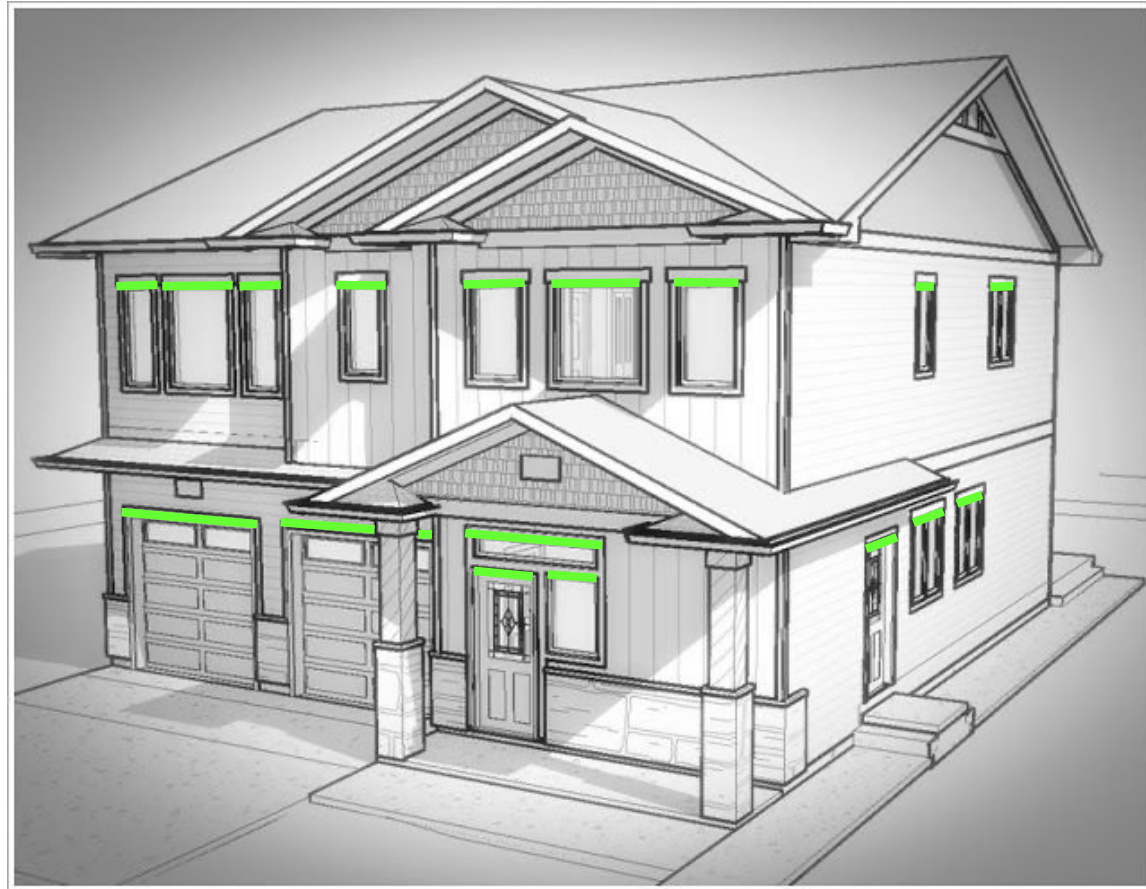
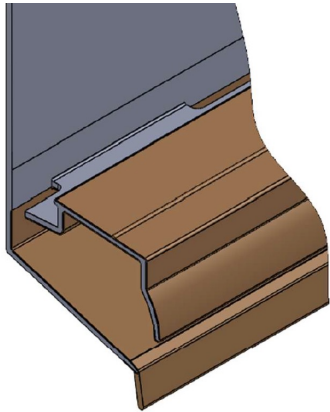


TAKE-OFF VISUAL

AMIFLOW Drip Edge

Specifically designed to accept 3mm – 10mm rainscreen drainage mat for high performance evacuation of bulk water.

Drip Edge is a pre-formed drip-cap profile that evacuates water from above window & door openings. Drip Edge is also used to promote drainage of individual floors in taller buildings.





Our latest innovation, building on the success of E-Z Bead, *SPEED Bead* is a peel-and-stick casing bead with a built-in backer rod that accelerates installation to produce an attractive water-tight seal, saving time and materials!

Using a proprietary 3M adhesive, *SPEED Bead* allows for fastener-less installation against windows and doors.

Tested to meet, or exceed, ASTM E330/E330M, ASTM E331 and ASTM E283.

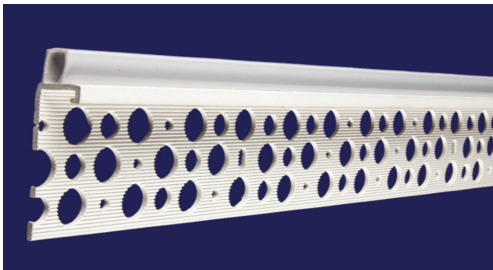
AMICO SPEED Bead or E-Z Bead

Vinyl casing bead designed with a built-in waterproof flexible bulb to seal out moisture and create uniform spacing around windows, doors frames, and soffits for a true elastomeric joint.

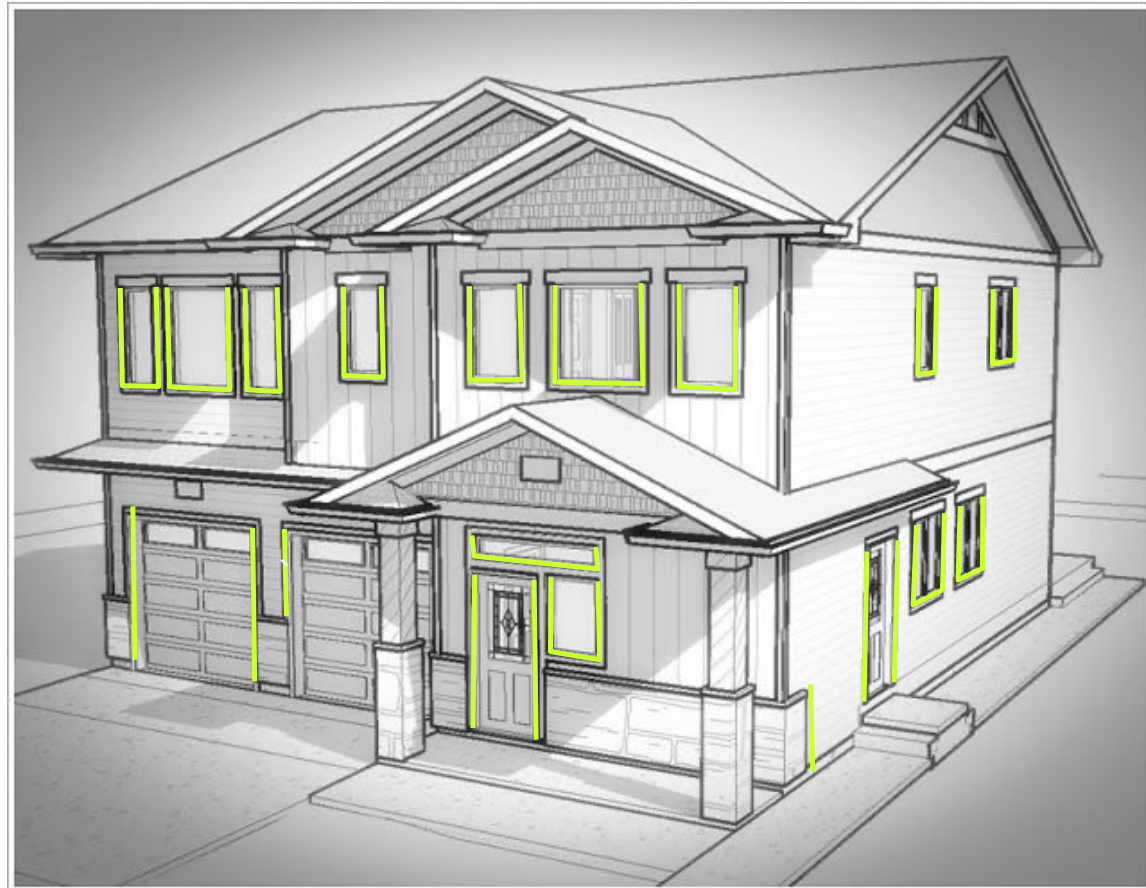
SPEED BEAD is our proprietary peel-and-stick that saves time and materials.



E-Z Bead makes creating uniform spacing for a sealant joint E-Z.









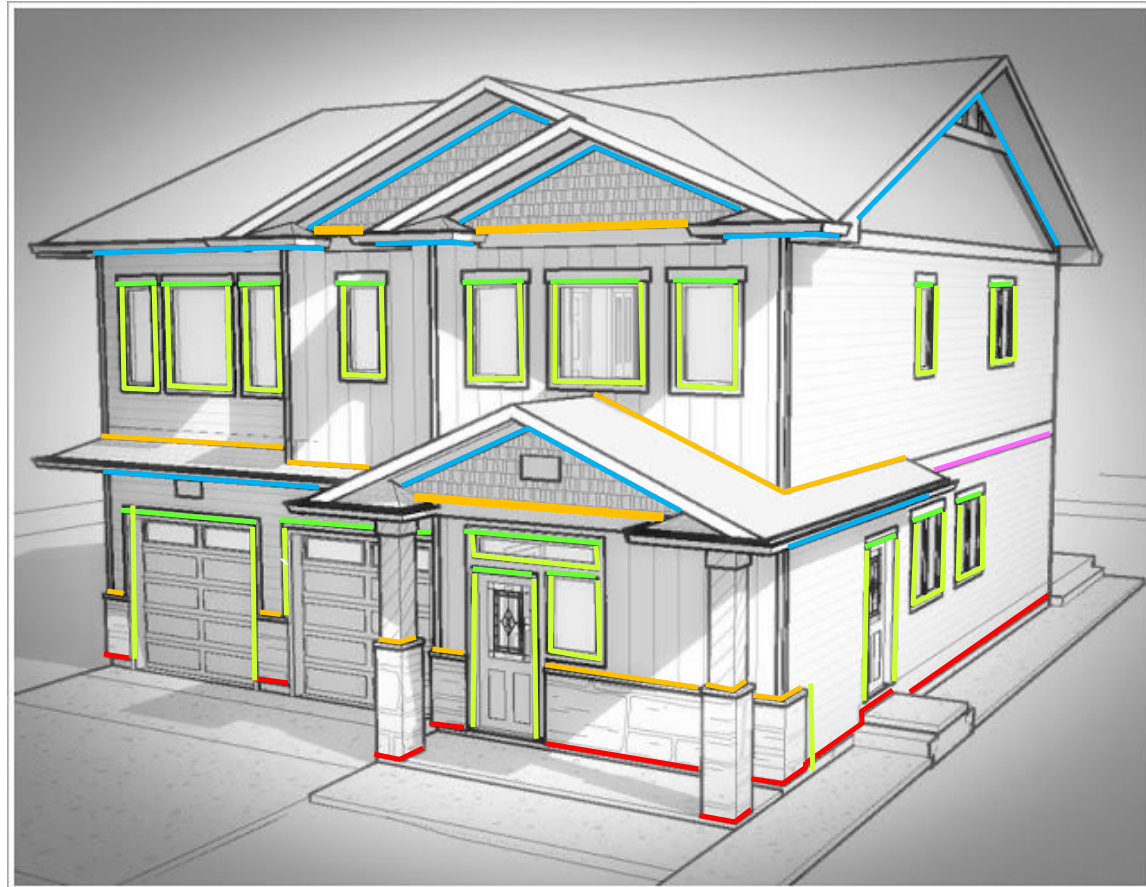
TAKE-OFF VISUAL



TAKE-OFF VISUAL

SYSTEM PROFILES

-  AMICO E-Z Vent
-  AMIFLOW Drain Screed
-  AMIFLOW UD
(Unlimited Drain)
-  AMIFLOW Mid-Wall
-  AMIFLOW Drip Edge
-  AMICO SPEED Bead or
E-Z Bead





AMICO Rain Screen
A primary drainage cavity is created between the sheathing and exterior finish with AMICO Rain Screen made from anti-microbial polymer strand.



E-Z Vent
E-Z Vent is a vinyl HI-PERFORMANCE trim that allows the top of a wall to properly vent and release unwanted water vapor from within the wall cavity through a series of venting slots.



AMIFLOW Drain Screenshot
The AMIFLOW Drain Screenshot is specifically designed to allow moisture to escape the wall cavity and promote the drying out process.



AMIFLOW Mid-Wall
In the middle of a wall there are several AmiFlow Mid-Wall profiles designed to ventilate most any type of exterior finish at any thru-wall penetration or joining of different finishes.



AMIFLOW Ultra Drain and Drip Edge
Our most versatile drainage profile. Used to drain above sill stones, on roof pitches, and cladding transitions.



Installation
Review the installation process for installing both the AMICO E-Z Vent and the AMIFLOW Drain Screenshot.



HydroDry Videos
Seven videos that explain in detail the various components that make up the HydroDry Moisture Management Solution.



Documents & Specs
Download technical and specification documents as well as view online and downloadable product brochures.



Contact Us
For more information or to talk with someone from AMICO regarding the HydroDry System, click here and fill out the contact form.

AMICO Building Products
Design Content

Listings 3D Models

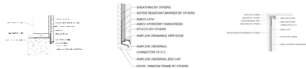
HYDRODRY Self Draining Vented Wall System

Listings BIM & 3D Files Specifications Resources

Description	Available Types	RFQ & Share	
1. Amiflow Drain Screenshot			
2. Amiflow Drain Screenshot Extended Leg			
3. Amiflow Ultra Drain and Drip Edge			
4. E-Z Vent			
5. Amiflow Mid-wall			

All Available BIM and 3D Files

Back to top



HydroDry Documents & Specifications

LITERATURE

- [HydroDry - Full Wall graphic](#)
- [HydroDry - Exterior Cladding](#)
- [HydroDry - Flyer](#)
- [HydroDry - Rainscreen](#)
- [AMIFLOW Mid Wall Drain Screenshot](#)
- [AMIFLOW Drain Screenshot](#)
- [AMIFLOW Ultra Drain & Drip Edge](#)
- [HydroDry E-Z Vent Casing Bead](#)

DRAWINGS

[Click here to visit CAD Details](#)

SUBMITTAL FORMS

- [HydroDry Submittals \(All\)](#)
- [HydroDry E-Z Vent Casing Bead](#)
- [HydroDry Mid Wall Weep Screenshot](#)
- [HydroDry AMIFLOW Drain Screenshot](#)
- [HydroDry AMIFLOW Drip Edge](#)
- [HydroDry AMIFLOW Ultra Drain](#)

TEST DATA

- [Computational Fluid Dynamics](#)

INSTALLATION INSTRUCTIONS

[Installation process - click here](#)



No other specification software helps you work smarter or faster than SpecLink.

Save time. Save money. Get it right. Every phase. Every time.

REQUEST A FREE TRIAL

HOW IT WORKS

